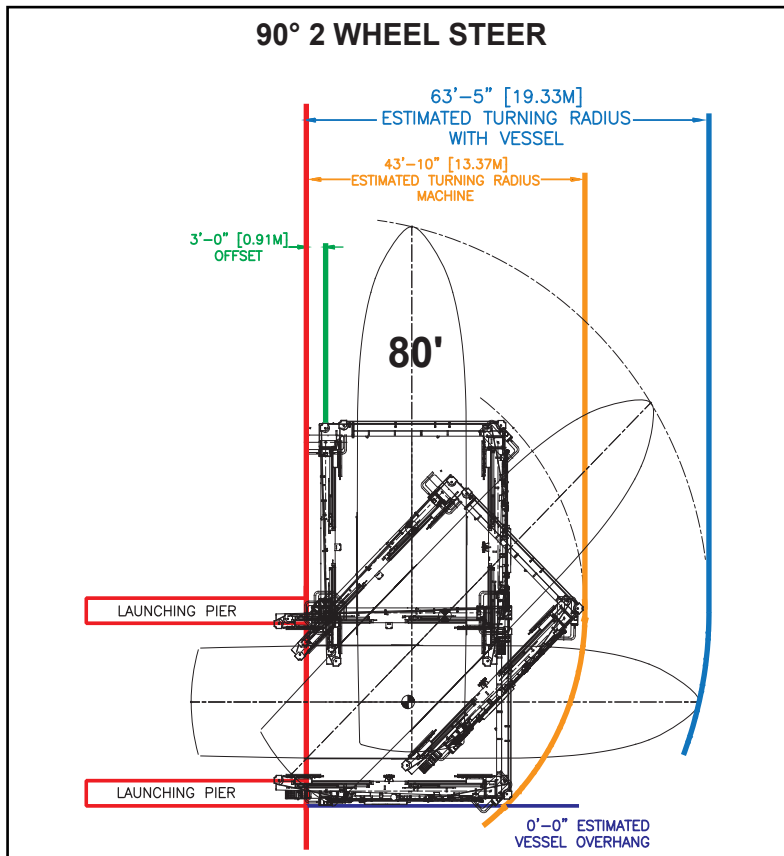
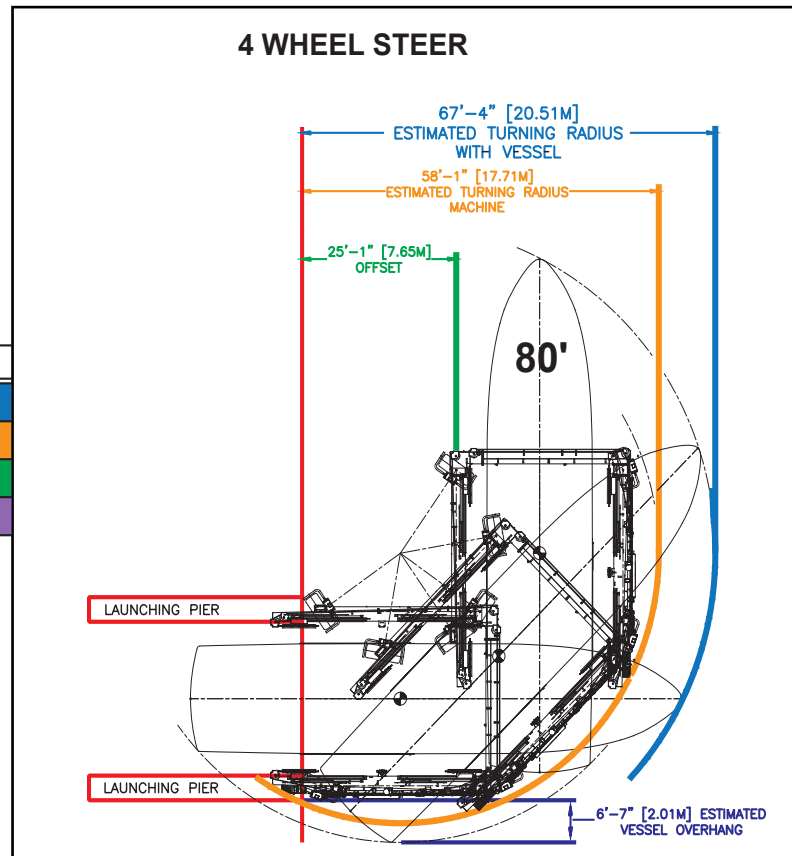


90 Degree 2 Wheel Steer VS 4 Wheel Steer



2WS	MACHINE	4WS
43'-10"		58'-1"
63'-5"	VESEL	67'-4"
3'-0"	OFFSET	25'-1"
0'-0"	OVERHANG	6'-7"



- Provides tighter turning radius to get the vessel exactly where it needs to be, each and every time
- Make sharp, 90 degree turns around your marina
- Maneuver around confined spaces while using left rear wheel as a pivot point and as a guide

- Switches front wheels in direction that the steering control is actuated and the rear wheels in the opposite direction
- Results in a sweeping turn and wider turning radius which requires a larger footprint to execute movement

Marine Travelift has built its reputation as the world's premier manufacturer of boat handling equipment by designing, building and supporting heavy-duty machines to improve efficiency and maximize productivity. This result of exceptional performance comes from listening and adapting to the customer's needs to create a durable and reliable machine to get the job done right. Marine Travelift's standard two wheel front 90 degree steering mode is no exception.